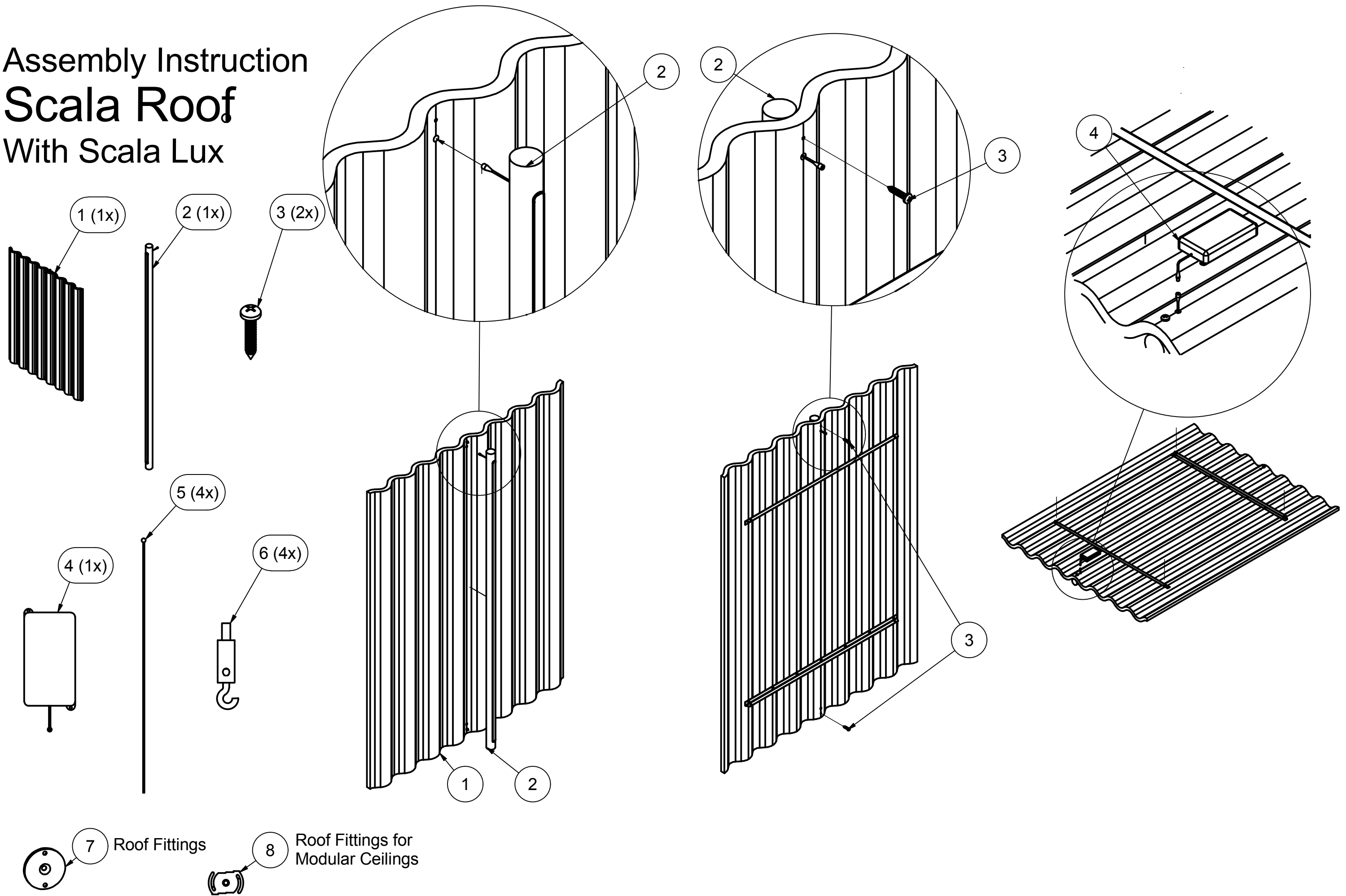


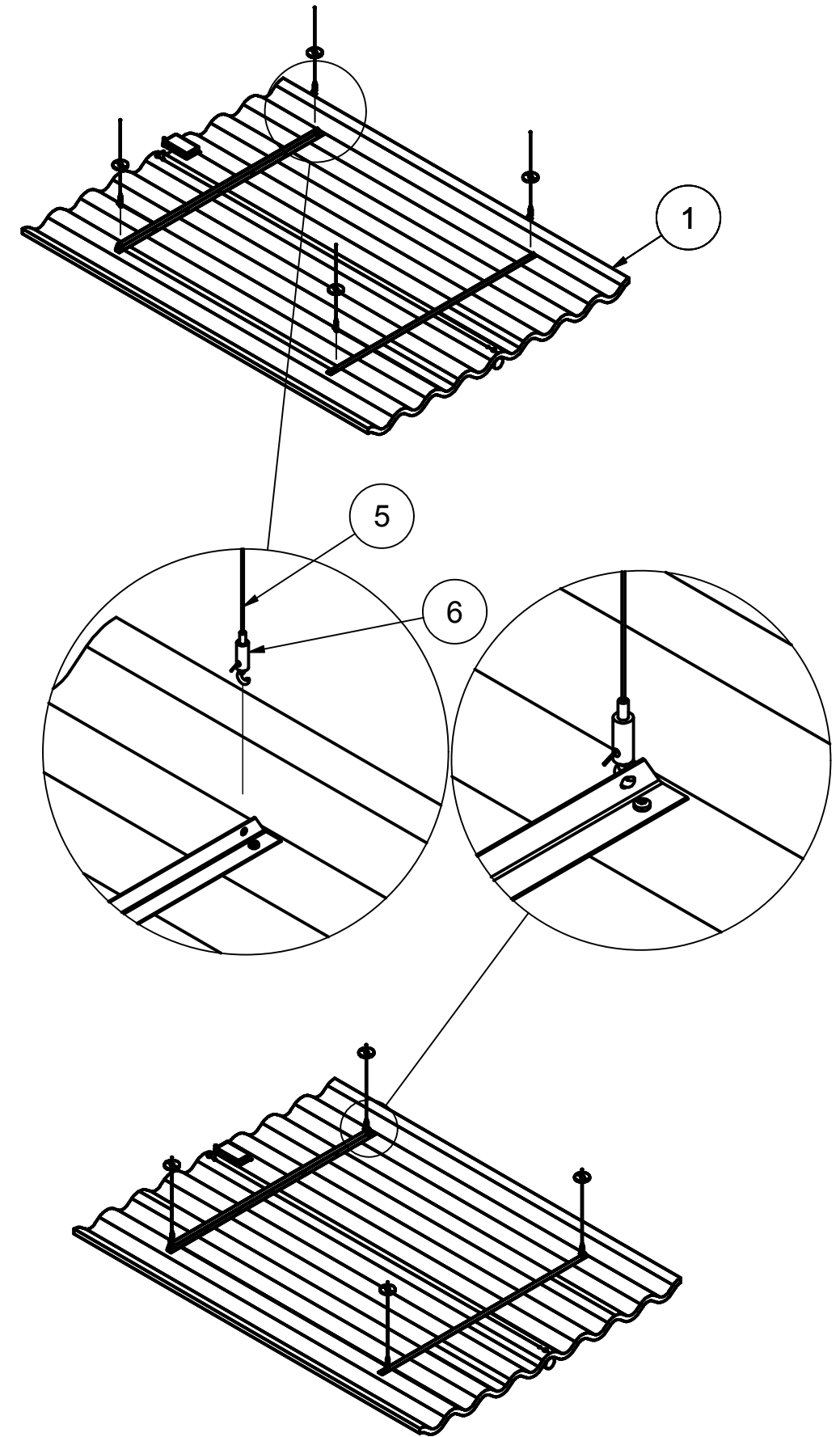
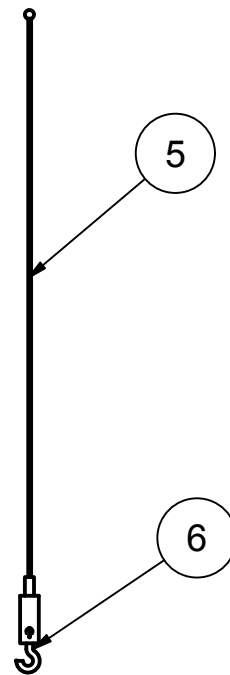
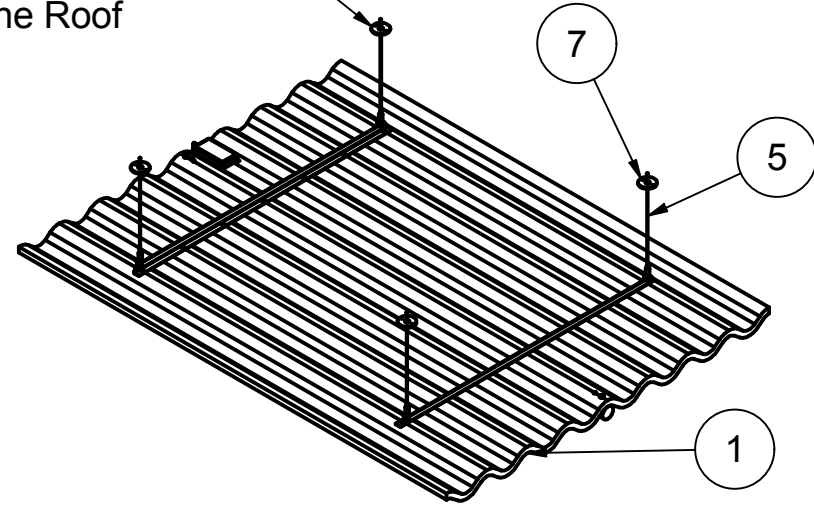
# Assembly Instruction

## Scala Roof

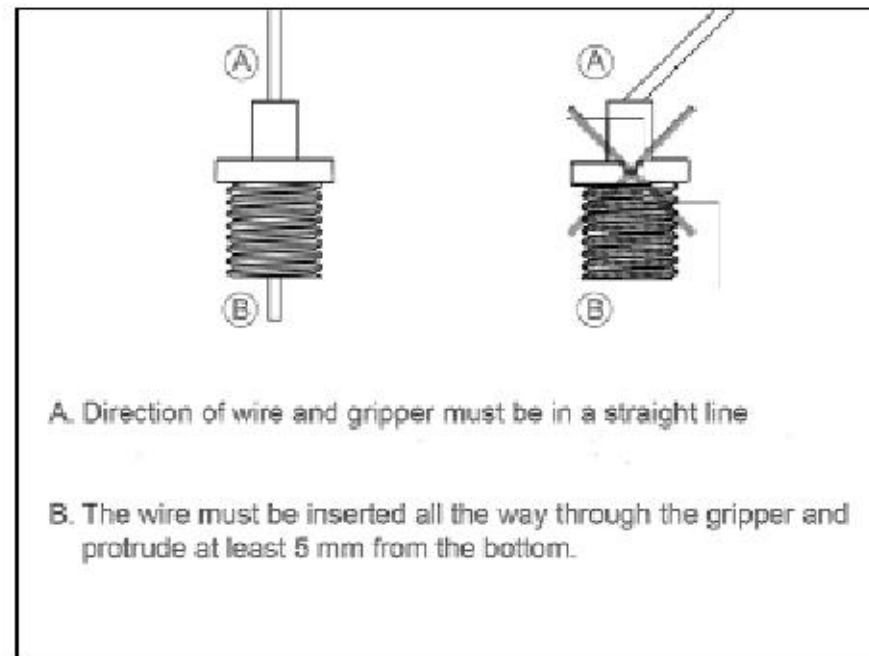
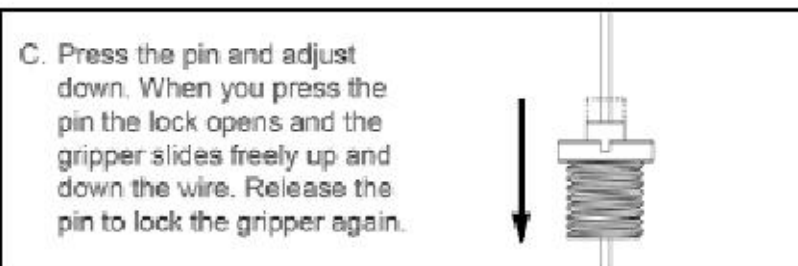
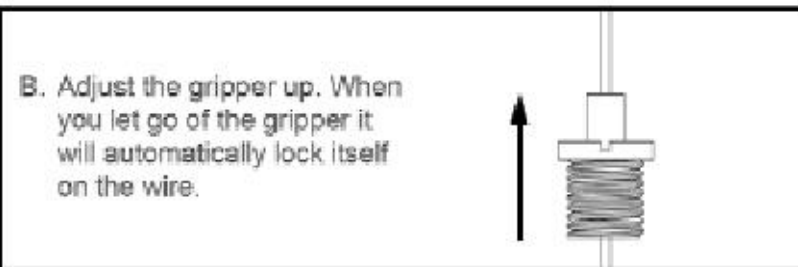
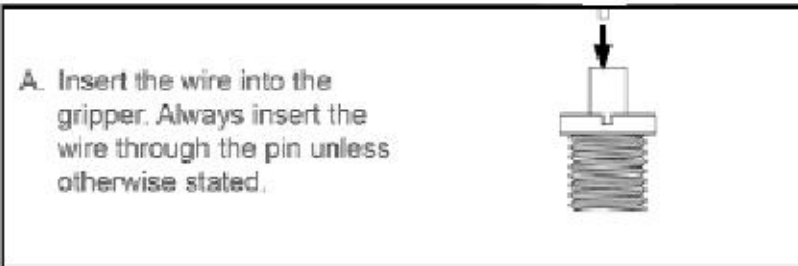
### With Scala Lux



Use appropriate Screws and Fittings for the Roof



A



A. Insert the wire into the gripper. Always insert the wire through the pin unless otherwise stated.

B. Adjust the gripper up. When you let go of the gripper it will automatically lock itself on the wire.

C. Press the pin and adjust down. When you press the pin the lock opens and the gripper slides freely up and down the wire. Release the pin to lock the gripper again.

A. Direction of wire and gripper must be in a straight line

B. The wire must be inserted all the way through the gripper and protrude at least 5 mm from the bottom.

**Note:** The suspension should be straight, not angled wires